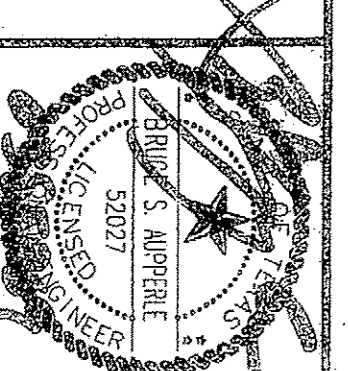


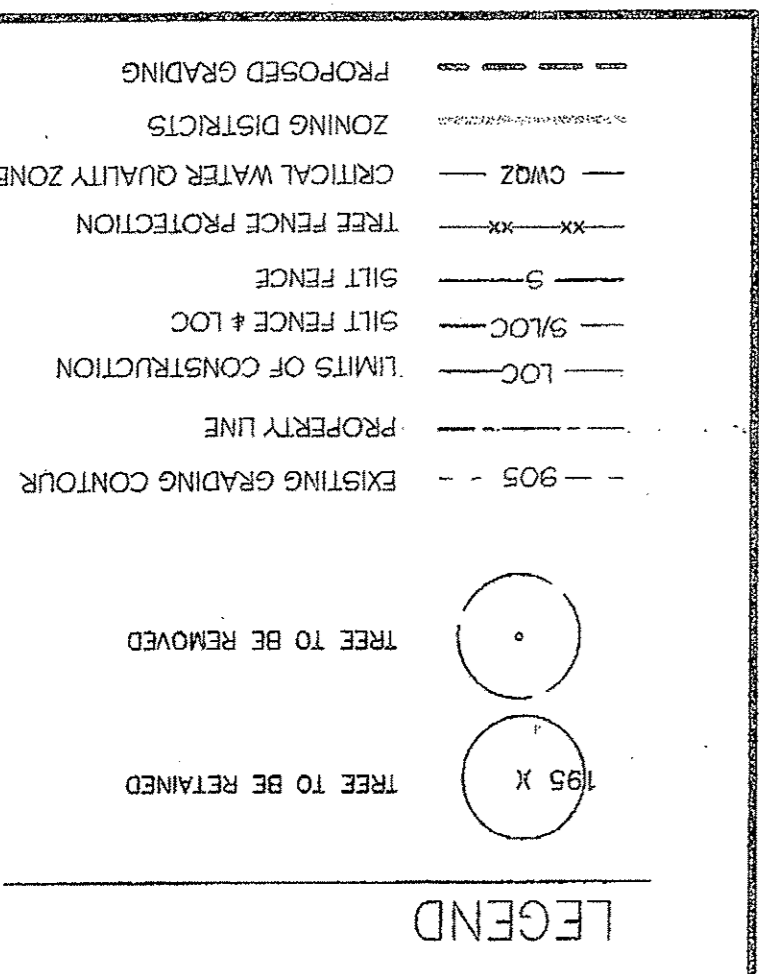
NOV 9 2009
 City of Austin
 Reviewed for General Compliance

8818 BIG VIEW DRIVE #2
 Site Plan

APPERIE COMPANY
 Engineering, Planning & Development Services
 2219 Westlake Drive #100, Austin, Texas 78746 512 329-8241
 Texas Board of Professional Engineers Registration Number: F1991



| NO. | DATE | REVISION | APPROV. |
|-----|------|----------|---------|
| | | | |



NOTES: 1. NO BUILDINGS EXIST ON ADJOINING LOTS.
 2. SPILLOWS FROM THE BOAT DOCK CONSTRUCTION ARE TO BE PLACED IN A STABILIZED POSITION ON AN UPLAND AREA.
 3. A DOCK MUST BE CONTINUOUSLY LIGHTED WITH AMBER LIGHTS BETWEEN SUNSET AND SUNRISE EACH DAY.
 4. A DOCK MUST HAVE AT LEAST ONE LIGHT STATION. THE LIGHT STATION MUST BE LOCATED ON THE END OF THE DOCK AND ON THE SIDE THAT IS FARTHEST FROM THE SHORELINE.
 5. NAVIGATION LIGHTS MUST HAVE A TWO-BULB FIXTURE WITH TWO WORKING LIGHT BULBS RATED BETWEEN 7-1/2 AND 25 WATTS INCLUSIVE. LIGHT BULBS OR BULB COVERS MUST BE AMBER, AND WHITE LIGHT MAY NOT RADIATE FROM THE FIXTURE. WEATHERPROOF LAMP HOLDERS AND JUNCTION BOXES ARE REQUIRED. EACH LIGHT FIXTURE MUST BE WIRED WITH A SWITCH OPERATED BY A PHOTOELECTRIC CELL SO THAT THE LIGHTS WILL OPERATE AUTOMATICALLY DURING THE HOURS THAT THE DOCK IS REQUIRED TO BE LIGHTED.
 WETLAND MITIGATION NOTES:
 1. ALL PLANT MATERIAL SHOULD BE SOURCED FROM WITHIN 100 MILES OF THE WORK SITE IN ORDER TO MAINTAIN LOCAL SPECIES AND GENOTYPE. CONTAINERS OR BARE ROOT SPECIMENS ARE ALLOWED.
 2. PLANT MATERIAL SHOULD BE FREE OF INVASIVE AND/OR EXOTIC SPECIES, AS DEFINED BY THE CITY OF AUSTIN.
 3. PLANTS SHOULD BE SET IN THE SOIL DEEPLY ENOUGH TO REMAIN IN-PLACE DURING CHARACTERISTIC LAKE AUSTIN WAVE ACTION.
 4. REMOVE INVASIVE SPECIES PRESENT IN THE PLANTING AREA PRIOR TO PLANTING, USING NON-CHEMICAL MEANS.
 5. PLANT A MINIMUM OF TWELVE ONE-GALLON-SIZED NATIVE EMERGENT WETLAND PLANTS FROM ONE OR MORE OF THE FOLLOWING LIST: SOFT-STEM BULrush (SCIRpus VAUGHN), CALIFORNIA BULrush (SCIRpus CALIFORNICUS), THREE-SQUARE BULrush (SCHONOPRUS AMERICANUS), POWDERY THUD (THUD DEABATA), PICKERELWEED (PONTEDERA CORDATA), OR HARD-STEM BULrush (SCIRpus ACUTUS), IF ONE-GALLON-SIZED PLANTS ARE NOT AVAILABLE, THEN 24 HALF-GALLON-SIZED PLANTS MAY BE SUBSTITUTED.
 6. SITE SHOULD BE MAINTAINED AND MONITORED FOR TWO YEARS FOR INVASIVE SPECIES TREATMENT AS WELL AS INCIDENTAL REPAIRS. POTENTIAL INVASIVE SPECIES AT THIS SITE INCLUDE CATTLE EAR (ALOCASIA SPP.), JOHNSON GRASS (SORGHUM HALAPENSE), ELEPHANT EAR (ALOCASIA SPP.), AND ALLIGATOR WEED (ALTERNANTHERA PHILOXEROIDES)
 All responsibility for the adequacy of these plans remains with the engineer who prepared them. In approving these plans, the City of Austin must rely upon the adequacy of the work of the design engineer.

TABLE 1: TREE LIST

| TAG NO. | COMMON NAME | SIZE | NOTES |
|---------|---------------|------|-------|
| 1 | BAIRD CYPRESS | 8" | (M) |
| 2 | PECAN | 12" | (M) |
| 3 | PECAN | 27" | (M) |
| 4 | PECAN | 12" | (M) |
| 5 | PECAN | 19" | (M) |
| 6 | PECAN | 13" | (M) |
| 7 | PECAN | 27" | (M) |
| 8 | PECAN | 11" | (M) |
| 9 | PECAN | 11" | (M) |
| 10 | PECAN | 14" | (M) |
| 11 | PECAN | 11" | (M) |
| 12 | PECAN | 14" | (M) |
| 13 | PECAN | 13" | (M) |
| 14 | PECAN | 17" | (M) |
| 15 | PECAN | 11" | (M) |
| 16 | WILLOW | 17" | (M) |
| 17 | HACKBERRY | 19" | (M) |
| 18 | PECAN | 8" | (M) |
| 19 | PECAN | 9" | (M) |
| 20 | PECAN | 21" | (M) |

TABLE 2: SURVEY DATA

| LINE | BEARING | LENGTH |
|------|---------------|---------|
| L1 | S 62°22'11" W | 63.67' |
| L2 | S 63°16'43" W | 114.41' |
| L3 | S 63°16'43" W | 324.81' |
| L4 | S 63°16'43" W | 58.85' |
| L5 | S 71°27'10" W | 111.55' |
| L6 | S 71°27'10" W | 236.22' |

(M) TREE IN WATER, SIZE IS APPROXIMATED
 (B) DENOTES BUNCH TREES

SHORELINE LENGTH = 156 L.F.
 MAX DOCK WIDTH @ 20% = 32 L.F.
 PROP. DOCK WIDTH = 30 L.F. OR 19.2%
 BULKHEAD LENGTH = 51 L.F.

